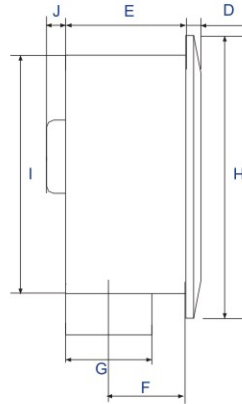
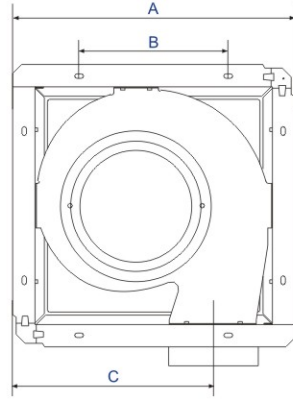
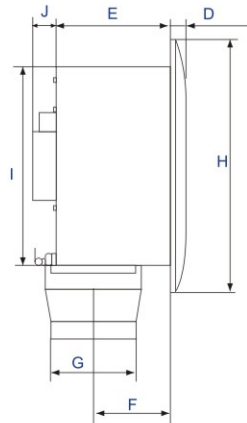
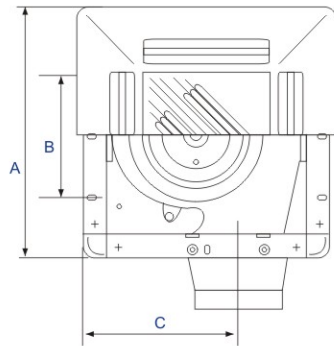


SUPER SLIM RANGE

■ DIMENSIONS(mm)



TUB215



TUB18M TUB18 TUB25

Model	A	B	C	D	E	F	G	H	I	J	Applicable Duct \varnothing	Installation Space mm	Applicable Area m^2
TUB215	316	167	220	13	135	80	98	329	267	25	100	274×274	25~30
TUB18M	220	84	120	18	128	78	100	232	170	29	100	176×176	8~12
TUB18	220	84	120	18	128	78	100	232	170	28	100	176×176	8~12
TUB25	280	140	176	19	128	78	100	290	230	29	100	237×237	15~20