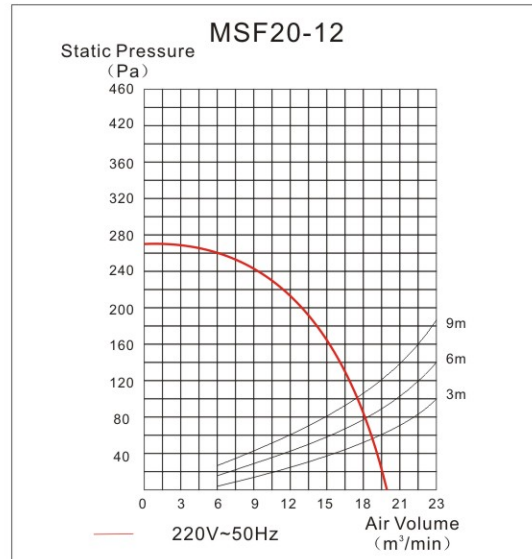
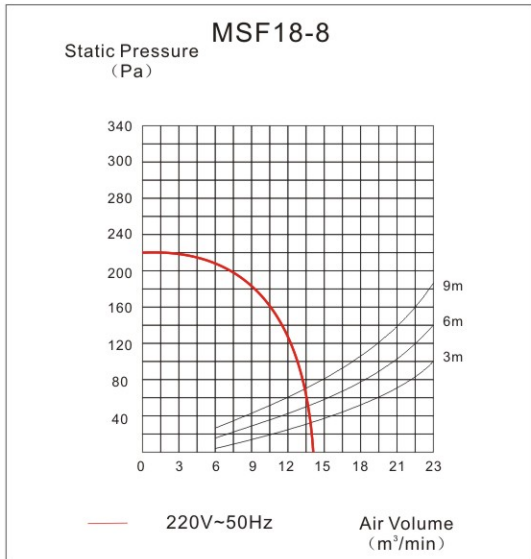
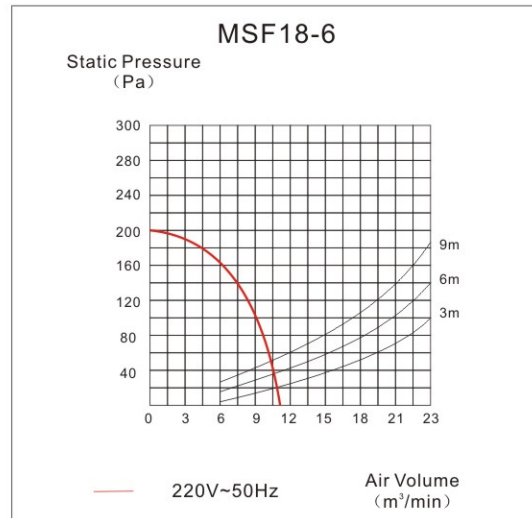
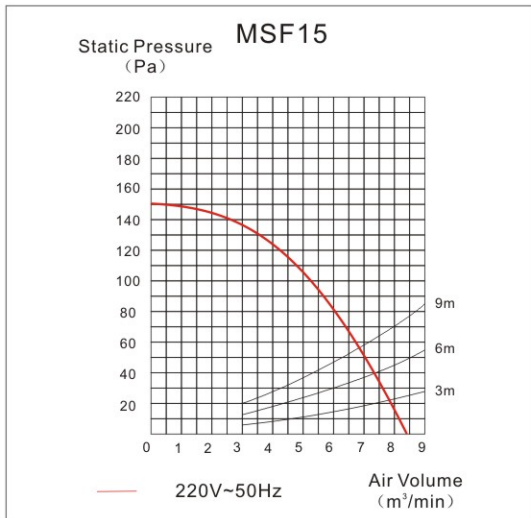
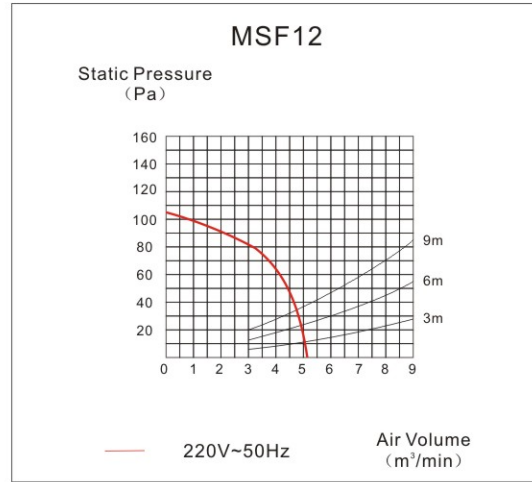
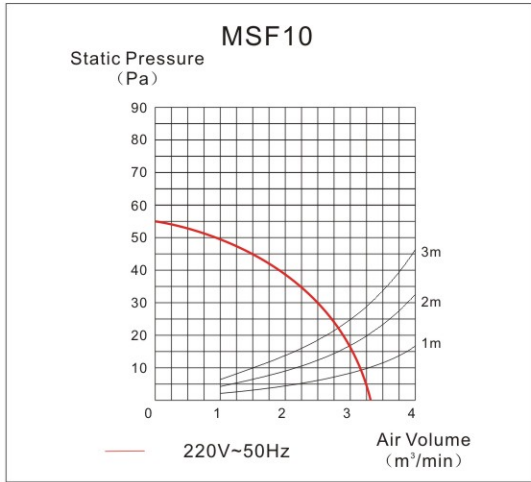


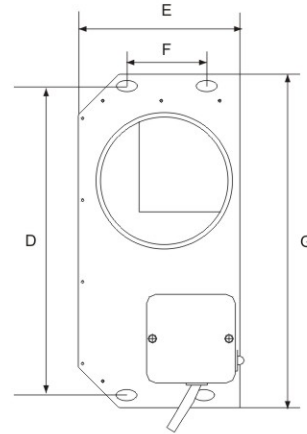
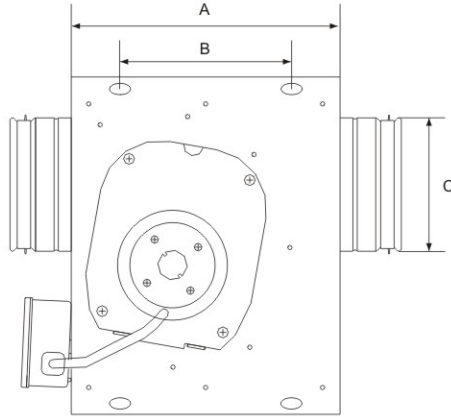
FULL METAL IN-LINE FAN

PERFORMANCE CURVE

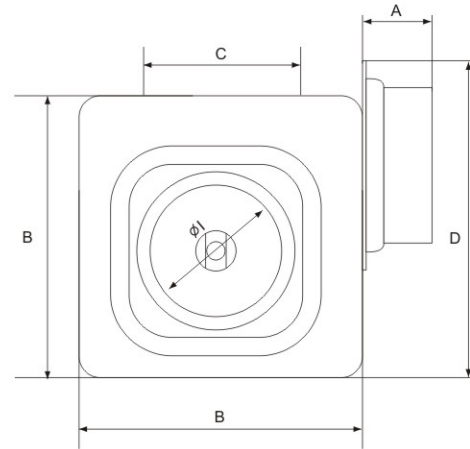
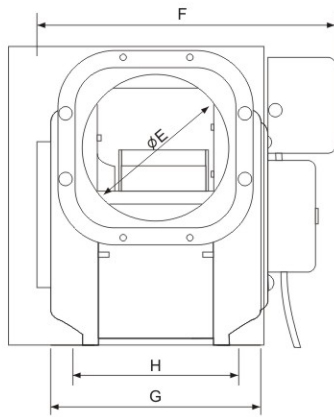


FULL METAL IN-LINE FAN

DIMENSIONS(mm)



MBF100 MBF125 MBF150



MSF10 MSF12 MSF15 MSF18-6 MSF18-8 MSF20-12

Model	A	B	C	D	E	F	G	H	I	Applicable Duct \varnothing	Installation Space mm	Applicable Area m^2
MBF100	250	160	100	290	152	75	314	-	-	100	-	12~16
MBF125	250	160	125	290	152	75	314	-	-	125	-	15~20
MBF150	250	160	150	290	172	75	314	-	-	150	-	25~30
MSF10	45	180	120	205	98	195	140	104	98	100	-	12~16
MSF12	45	230	120	270	150	237	184	134	150	150	-	25~30
MSF15	50	250	160	287	150	256	201	151	150	150	-	30~40
MSF18-6	50	300	160	356	200	320	236	200	200	200	-	35~45
MSF18-8	50	300	160	358	200	320	236	200	200	200	-	40~50
MSF20-12	50	330	178	380	200	365	270	230	200	200	-	60~70