

■ PRODUCT



IFW3-50M / 65M



IFS3-50M / 65M

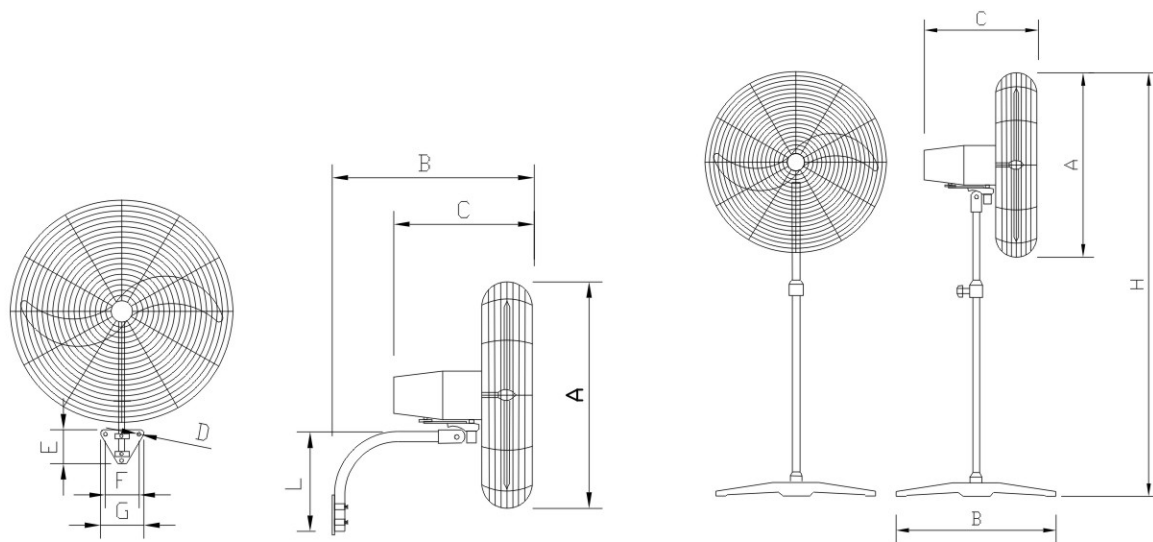
■ DESCRIPTION

- Wall mount and stand fan available
- Aluminum impellers with well balanced design
- Heavy duty & high performance
- Built-in thermal cut-out protection
- Low noise & temperature rising
90° oscillation, 30° tilt angle

Model	Blade size mm	Volt / Hz	Input Power W			Speed R.P.M		
			Lo	Med	Hi	Lo	Med	Hi
IFW3-50M IFS3-50M	500	220/50	110	120	130	1066	1233	1370
IFW3-65M IFS3-65M	650	220/50	140	160	180	1065	1265	1389

INDUSTRIAL SERIES

■ DIMENSIONS (mm)



IFW3-50M / 65M

IFS3-50M / 65M

Model	A	B	C	D	E	F	G	L	H
IFW3-50M	570	570	310	Ø12	154	130	174	300	
IFW3-65M	710	570	310	Ø12	154	130	174	300	
IFS3-50M	570	560	310						1300-1730
IFS3-65M	710	660	310						1370-1800