

INDUSTRIAL SERIES

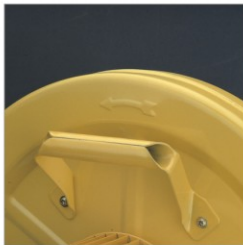
■ PRODUCT

Medium Pressure Blower



CAD5-series

■ DESCRIPTION



PORTABLE HANDLE



CONNECTABLE TO DUCT



SAFETY GRILLES



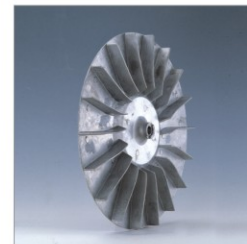
CASING

- manufactured from die-cast aluminum and finished with tough epoxy paint coating



MOTORS

- high performance asynchronous induction motor
- built-in thermal cut-out protection
- ball bearing assembly
- IP 44 protection



IMPELLERS

- radial centrifugal made from die-cast aluminum
- well balanced design

■ APPLICATIONS

- Suitable for special ventilation applications including extraction of contaminated particles
- Ideal for industrial processes including dryer fume & metal grinding fume extraction, and power saws, sanders and planers exhaust air extraction, etc
- Apply to residential or commercial garages exhaust gas systems
- Apply to inflatable toys, inflatable promotional materials, inflatable construction

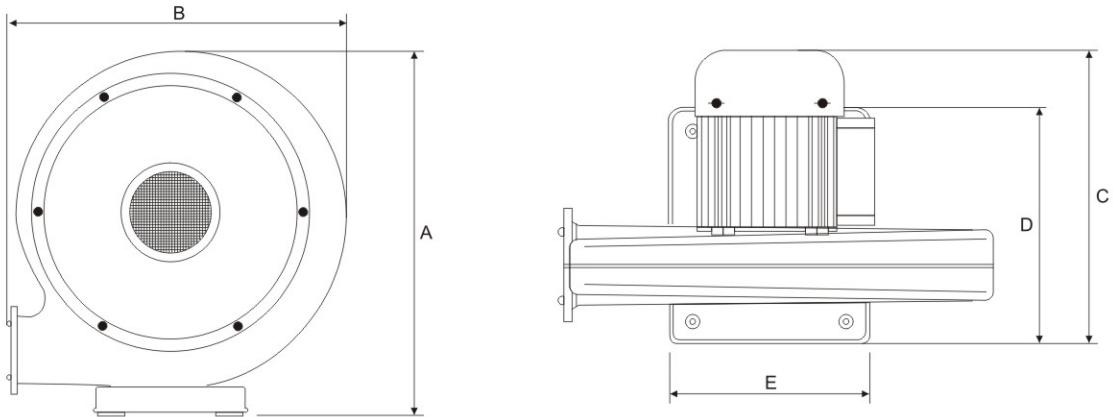


■ SPECIFICATIONS

Model	Impeller Size mm	Volt/Hz	Input Power W	Current A	Speed R.P.M.	Air Volume m ³ /min	Air Pressure Pa	Sound Level dB(A)
CAD5-25	250	220/50	280	1.25	2750	7.5	680	68
CAD5-30	300	220/50	400	1.85	2750	10.5	780	75
CAD5-35	350	220/50	700	3.15	2750	15	840	80

INDUSTRIAL SERIES

■ DIMENSIONS (mm)



CAD5-25 CAD5-30 CAD5-35

Model	A	B	C	D	E
CAD5-25	370	348	251	160	130
CAD5-30	420	385	262	211	176
CAD5-35	480	455	305	226	188