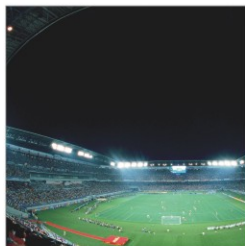
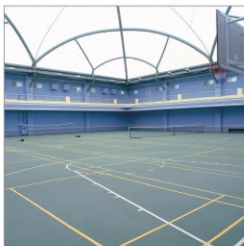


INDUSTRIAL SERIES

■ APPLICATIONS

- Ideal for cooling, ventilating, humidification, dust suppression applications, etc.
- Suitable for variety of events including :
 - Outdoor and sporting event
 - Pool side, patio or deck
 - Outdoor banquet, entertaining event
 - Hotel, resort, spa, restaurant
 - Special effect for theme parks
 - Construction site, factory
 - Poultry, dairy farm, greenhouse
 - Air-conditioning and turbine pre-cooling



INDUSTRIAL SERIES

■ SPECIFICATIONS

Model	Blade Size mm	Volt/Hz	Input Power W	Current A	Speed R.P.M.	Air Volume m ³ /min	Sound Level dB(A)
		Lo/Med/Hi	Lo/Med/Hi	Lo/Med/Hi	Lo/Med/Hi	Lo/Med/Hi	Lo/Med/Hi
EFW65M/EFS65M	650	220 / 50	135/143/179	0.9/0.85/0.98	890/1050/1380	110/170/230	55/59/68
EFW75M/EFS75M	750	220 / 50	187/181/207	0.9/0.85/0.98	920/1200/1400	160/220/300	68/76/80

■ ACCESSORIES

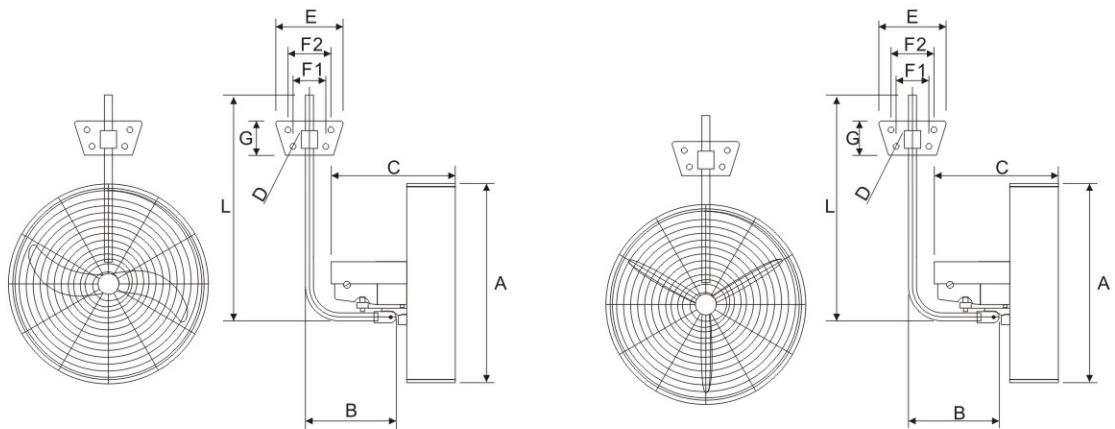


HIGH PRESSURE
FLEXIBLE DUCT &
VALVES



NOZZLES

■ DIMENSIONS (mm)

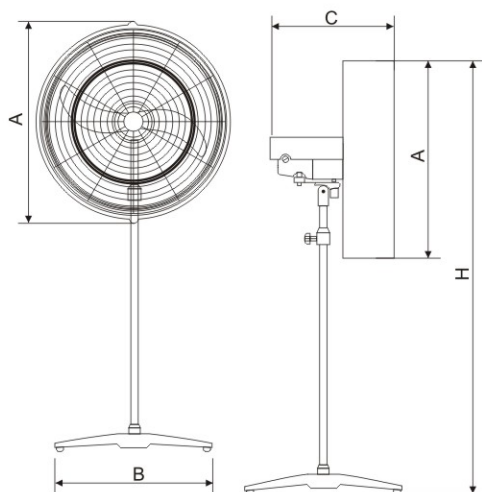


EFW65M

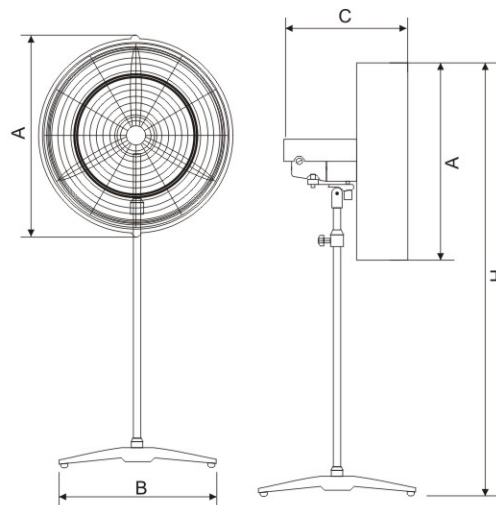
EFW75M

Model	A	B	C	D	G	F1	F2	E	L
EFW65M	710	290	435	∅ 14	100	96	154	193	720
EFW75M	820	290	435	∅ 14	100	96	154	193	720

INDUSTRIAL SERIES



EFS65M



EFS75M

Model	A	B	C	H	
EFS65M	710	600	435	1640	1940
EFS75M	820	600	435	1700	2000