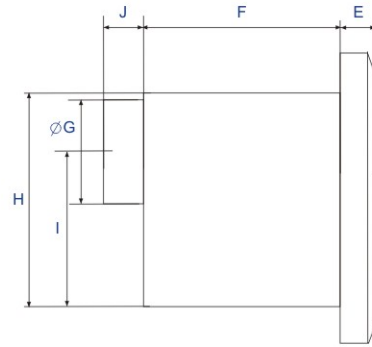
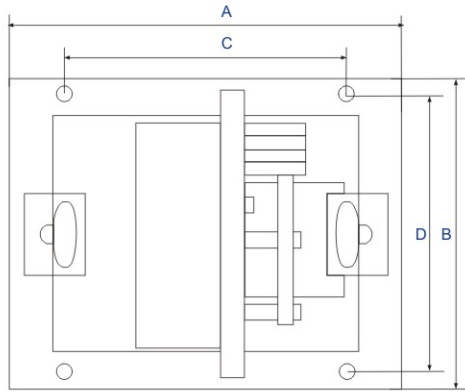
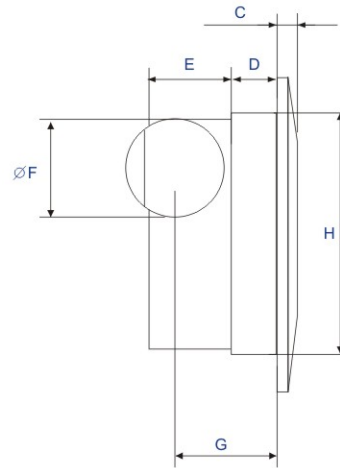
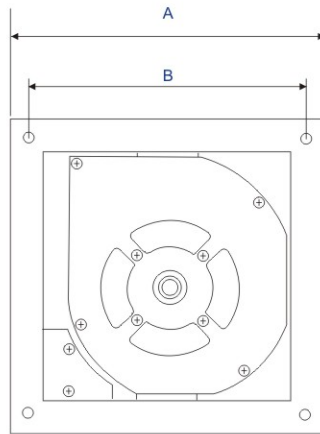


FULL PLASTIC RANGE

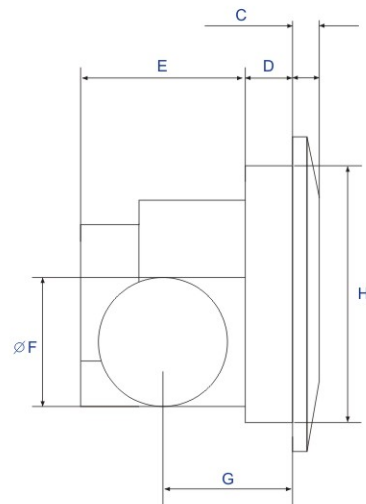
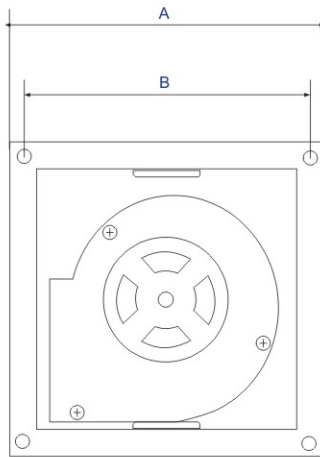
■ DIMENSIONS (mm)



TUB10 TUB15



TUB815 TUB816



TUB715 TUB716 TUB915 TUB916

FULL PLASTIC RANGE

■ DIMENSIONS (mm)

Model	A	B	C	D	E	F	G	H	I	J	Applicable Duct ∅	Installation Space mm	Applicable Area m ²
TUB10	249	200	180	178	23	140	74	152	110	30	75	202×158	5~8
TUB15	294	240	240	216	24	178	95	200	148	32	100	258×204	15~20
TUB715	322	292	15	38	138	149	118	274			150	282×282	15~20
TUB716	322	292	15	38	138	149	118	274			150	282×282	25~30
TUB815	250	225	16	43	84	100	97	212			100	220×220	8~12
TUB816	312	276	20	47	84	100	103	252			100	260×260	15~20
TUB915	240	220	20	38	128	100	101	200			100	212×212	8~12
TUB916	264	240	20	40	128	100	114	224			100	232×232	12~16