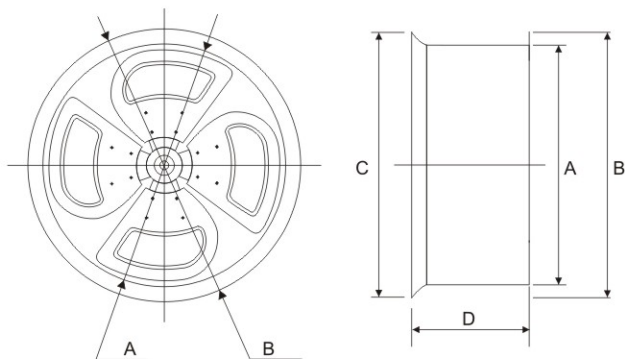
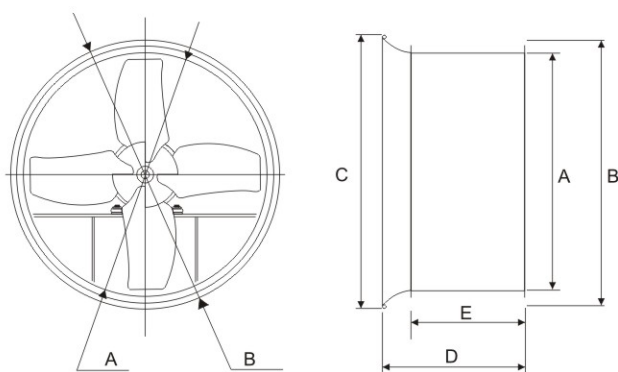


## ■ DIMENSIONS (mm)



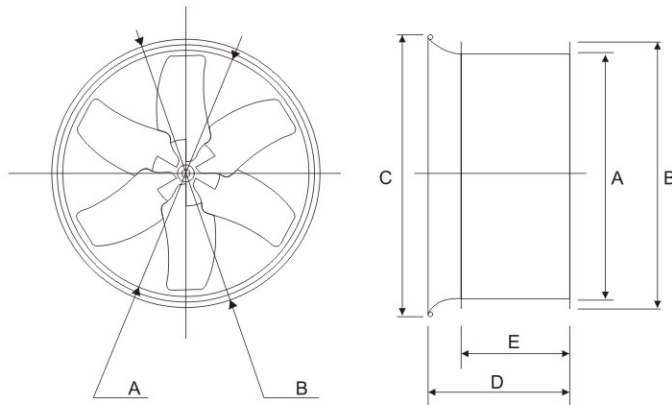
CAF1-series



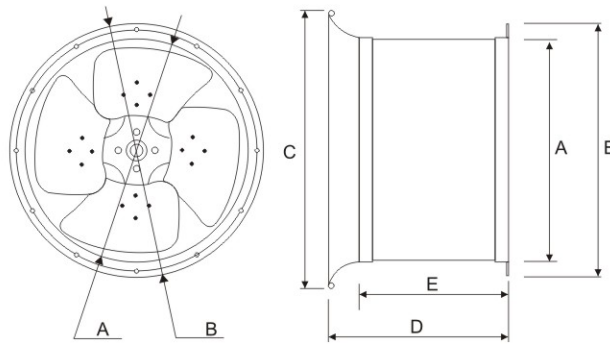
CAF2-series

Model	A	B	C	D	E
CAF1-25	∅ 260	∅ 295	∅ 295	190	--
CAF1-30	∅ 310	∅ 350	∅ 350	190	--
CAF1-40	∅ 410	∅ 470	∅ 470	245	--
CAF1-50	∅ 510	∅ 570	∅ 570	245	--
CAF2-40	∅ 410	∅ 460	∅ 470	300	245
CAF2-50	∅ 560	∅ 570	∅ 575	300	245
CAF2-60	∅ 660	∅ 675	∅ 685	300	245

# INDUSTRIAL SERIES



**CAF3-series**



**CAF4-series**

Model	A	B	C	D	E
CAF3-35	∅ 360	∅ 460	∅ 470	285	245
CAF3-40	∅ 410	∅ 460	∅ 470	300	245
CAF3-50	∅ 560	∅ 570	∅ 575	300	245
CAF3-60	∅ 660	∅ 675	∅ 685	300	245
CAF4-40	∅ 410	∅ 470	∅ 505	345	285
CAF4-50	∅ 510	∅ 570	∅ 620	360	285
CAF4-60	∅ 610	∅ 675	∅ 720	482	420