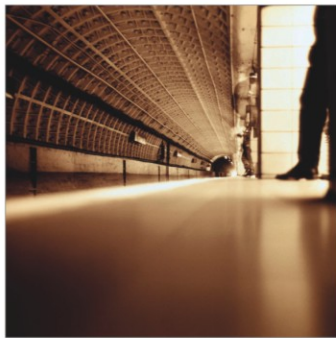
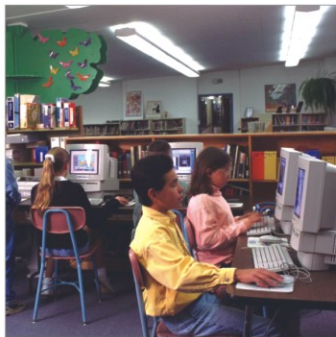
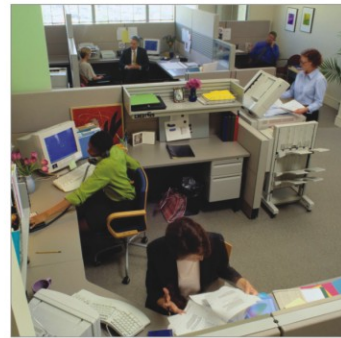


INDUSTRIAL SERIES

■ APPLICATIONS

- Drying up wet floor and carpet instantly
- Ideal for places with frequent public flow including office, shopping mall, hotel, resort, restaurant, hospital, school, gym, train platform, etc.

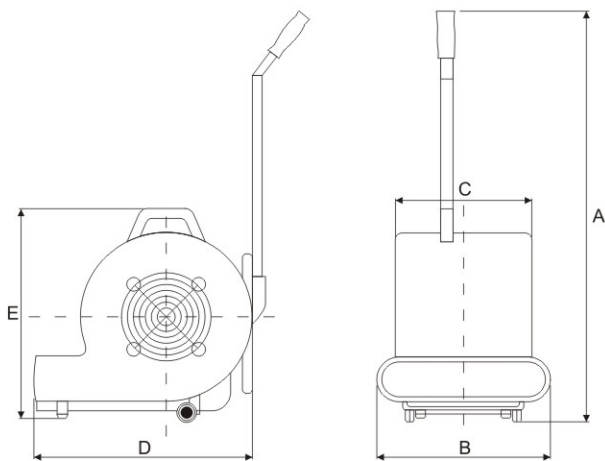


INDUSTRIAL SERIES

■ SPECIFICATIONS

Model	Fan Wheel Size mm	Volt/Hz	Speed Control	Input Power W	Current A	Speed R.P.M.	Air Volume m ³ /min	Sound Level dB(A)
CAD1-30	270	220 / 50	Lo	690	3.26	1030	110	79
			Med	790	3.65	1190	130	83
			Hi	945	4.49	1350	160	86

■ DIMENSIONS (mm)



CAD1-30

Model	A	B	C	D	E
CAD1-30	1020	430	340	490	510