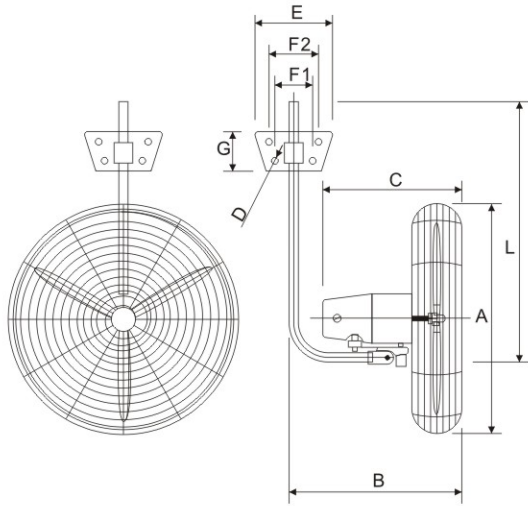
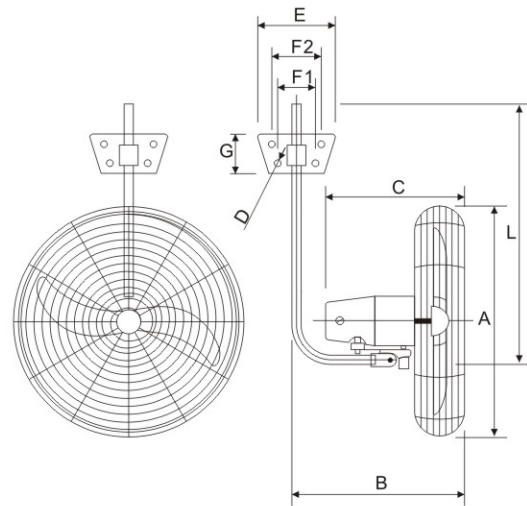


# INDUSTRIAL SERIES

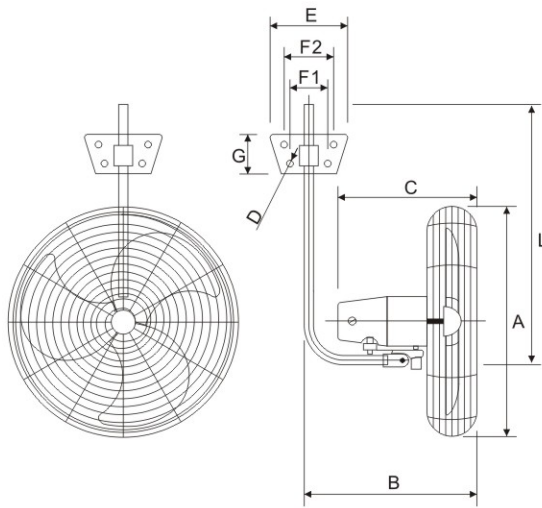
## ■ DIMENSIONS (mm)



IFW75M



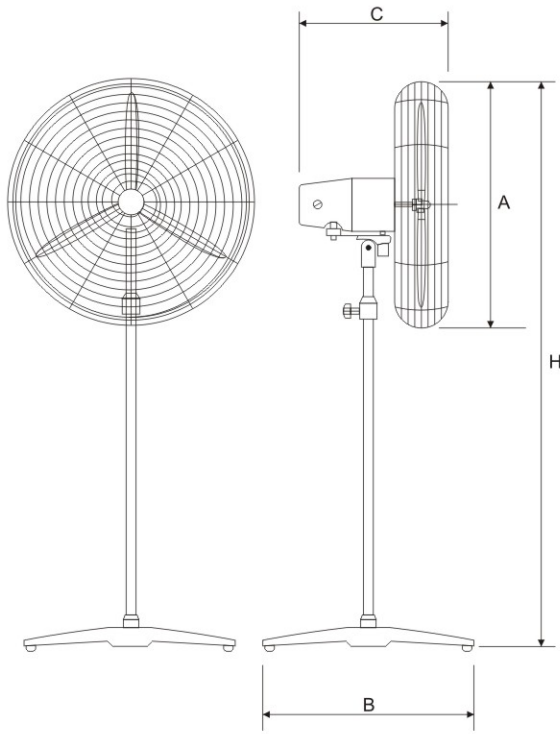
IFW50M IFW65M



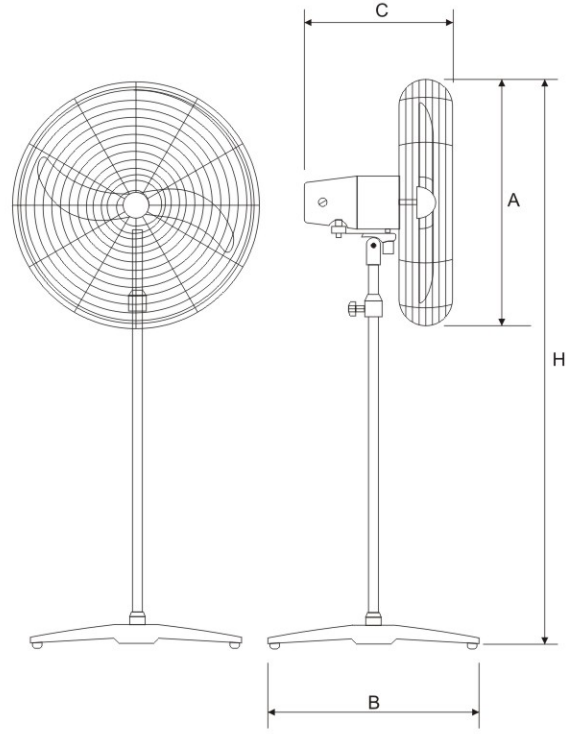
IFW45M

| Model  | A   | B   | C   | D   | E   | F1 | F2  | G   | L   |
|--------|-----|-----|-----|-----|-----|----|-----|-----|-----|
| IFW45M | 500 | 290 | 330 | ∅14 | 193 | 96 | 154 | 100 | 520 |
| IFW50M | 570 | 290 | 330 | ∅14 | 193 | 96 | 154 | 100 | 520 |
| IFW65M | 690 | 290 | 360 | ∅14 | 193 | 96 | 154 | 100 | 720 |
| IFW75M | 800 | 290 | 360 | ∅14 | 193 | 96 | 154 | 100 | 720 |

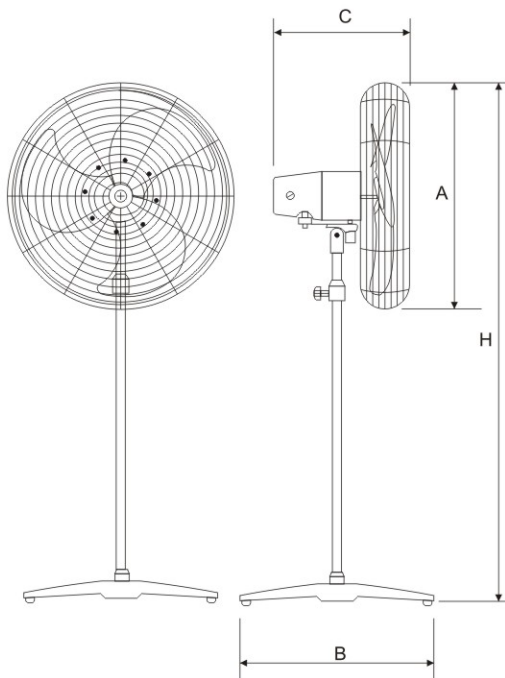
# INDUSTRIAL SERIES



**IFS75M**



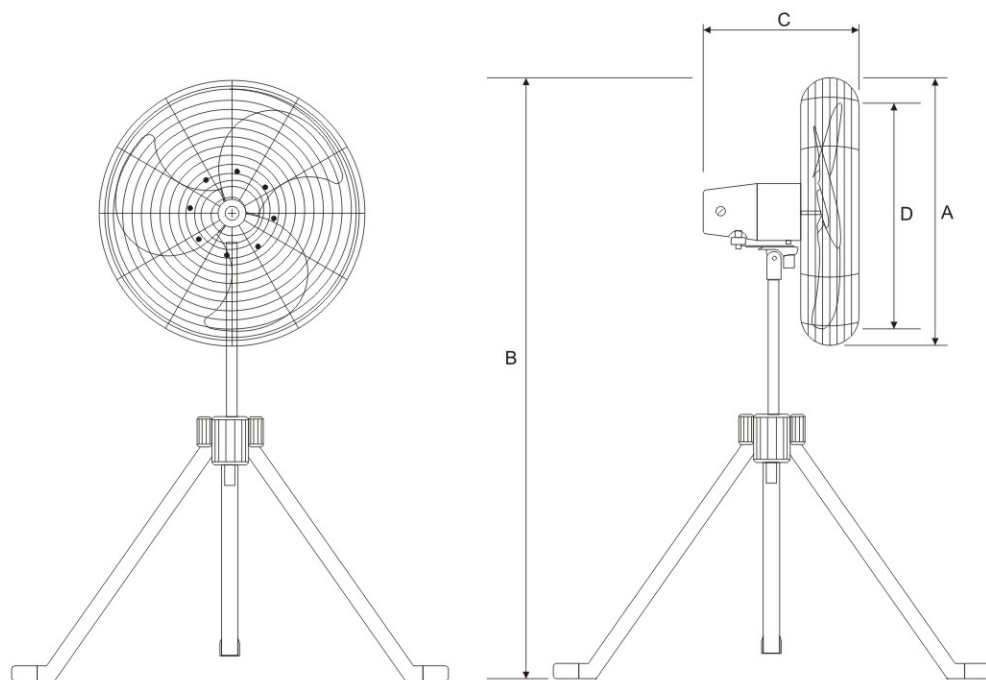
**IFS50M IFS65M**



**IFS45M**

| Model         | A   | B   | C   | H         |
|---------------|-----|-----|-----|-----------|
| <b>IFS45M</b> | 500 | 530 | 330 | 1240-1690 |
| <b>IFS50M</b> | 570 | 530 | 330 | 1270-1720 |
| <b>IFS65M</b> | 690 | 590 | 360 | 1460-1860 |
| <b>IFS75M</b> | 800 | 590 | 360 | 1515-1986 |

# INDUSTRIAL SERIES



**IFT-45M IFT-50M**  
**IFT-65M IFT-75M**

| Model   | A   | B          | C   | D   |
|---------|-----|------------|-----|-----|
| IFT-45M | 500 | 1200 -1450 | 330 | 450 |
| IFT-50M | 570 | 1200 -1500 | 330 | 500 |
| IFT-65M | 700 | 1200 -1600 | 360 | 650 |
| IFT-75M | 800 | 1200 -1650 | 360 | 750 |