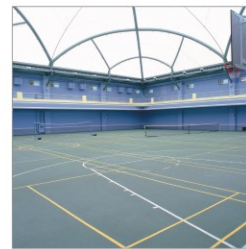
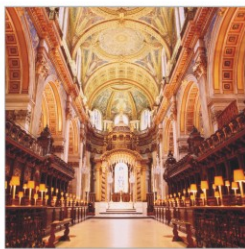
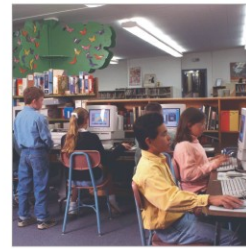
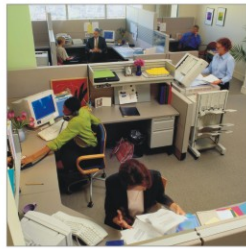


INDUSTRIAL SERIES

■ APPLICATIONS

- Suitable for residential, commercial and industrial ventilation, cooling, indoor air circulation applications
- Versatile applications including house, apartment, shop, church, gym, office, warehouse and factory, etc.



AIR CIRCULATION



DIRECT BLOWING

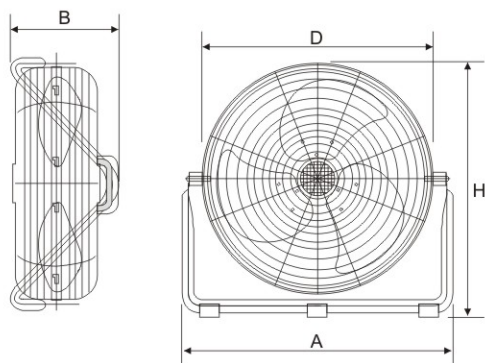


EXHAUST BLOWING

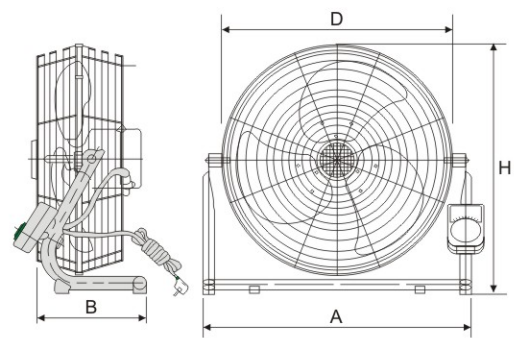
■ SPECIFICATIONS

Model	Blade Size mm	Volt / Hz	Input Power	Current	Speed	Air Volume	Sound Level
			W	A	R.P.M.	m ³ /min	dB(A)
			Lo / Med / Hi	Lo / Med / Hi	Lo / Med / Hi	Lo / Med / Hi	Lo / Med / Hi
HVF-20X	200	220 / 50	25 / 29 / 38	0.12 / 0.14 / 0.16	1700 / 2000 / 2300	22 / 26 / 28	50 / 52 / 54
HVF-30X	300	220 / 50	50 / 65 / 85	0.11 / 0.14 / 0.20	1050 / 1200 / 1350	40 / 46 / 55	50 / 53 / 56
HVF-35X	350	220 / 50	38 / 46 / 70	0.22 / 0.24 / 0.35	1050 / 1200 / 1300	44 / 50 / 63	50 / 54 / 57
HVF-40X	400	220 / 50	80 / 100 / 120	0.39 / 0.45 / 0.55	1100 / 1250 / 1400	52 / 66 / 85	51 / 53 / 58
HVF-45X	450	220 / 50	140 / 180 / 200	0.54 / 0.60 / 0.95	1100 / 1250 / 1400	75 / 103 / 124	53 / 56 / 62
HVF-50X	500	220 / 50	155 / 160 / 240	0.65 / 0.70 / 1.0	1100 / 1250 / 1400	85 / 114 / 170	55 / 58 / 64
STF-450	450	220 / 50	80 / 95 / 135	0.38 / 0.45 / 0.55	950 / 1100 / 1250	60 / 95 / 120	49 / 54 / 57

■ DIMENSIONS (mm)

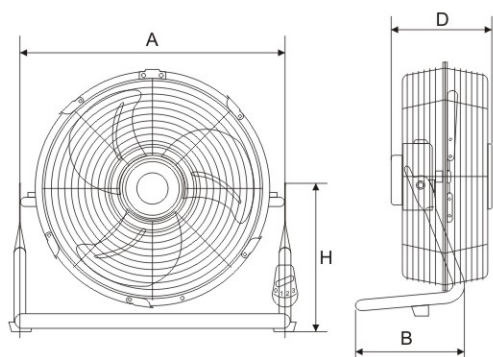


HVF-20X HVF-30X HVF-35X



HVF-40X HVF-45X HVF-50X

INDUSTRIAL SERIES



STF-450

Model	A	B	D	H
HVF-20X	275	135	255	265
HVF-30X	395	195	356	390
HVF-35X	475	205	418	440
HVF-40X	515	230	468	490
HVF-45X	575	210	518	560
STF-450	530	208	195	322