

DOOR CHIMES SERIES

PRODUCT



PROSPERITY

VZ 13-20 (Battery Operated or External Transformer)
VZ 13-20AC (Built-in Transformer)



GROWTH

VZ 14-20 (Battery Operated or External Transformer)
VZ 14-20AC (Built-in Transformer)

DESCRIPTION

We have more than 20 years manufacturing experience in electrical products. We can offer high quality Electro-mechanical 'DING DONG' Doorchimes with

- Built-in Transformer [AC Operated]
- Battery Operated [DC Operated]
- External Transformer
- All 'AC' operated models can be made to any voltage, phase and frequency on request
- Clear and Sweet 'Ding Dong' Sound
- Simple but Elegant Design to maintain the perfect harmony of the environment
- Customer's design/OEM projects are welcome
- Also, we have over 100 models of Ventilating Fans & Propeller Fans for your selection

SPECIFICATIONS

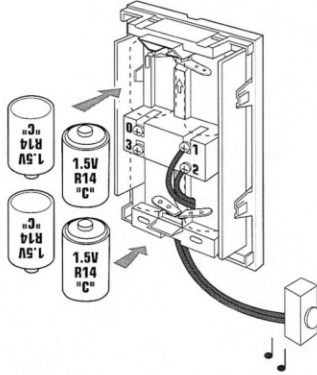
Model	Description	Voltage V	db	QTY Unir/Ctn	N.W. kg	G.W. kg	Meas cm
Prosperity VZ13-20	2-note Electromechanical "Ding Dong" Sound; Battery Operated/External Transformer	DC6V(Direct Current); 4 Batteries x 1.5V; type R14/C	93	24	9.5	11.0	44.5x44x27
Prosperity VZ14-20			93	24	9.5	11.0	44.5x44x27
Prosperity VZ13-20AC	2-note Electromechanical "Ding Dong" Sound; Built-in Transformer	220-240V~50Hz	96	24	9.5	11.0	44.5x44x27
Growth VZ14-20AC			96	24	9.5	11.0	44.5x44x27

*Remarks: ● All GOLDBELL DOORCHIMES are packed by blister card for easy display and 24 pieces in 1 outer export carton.

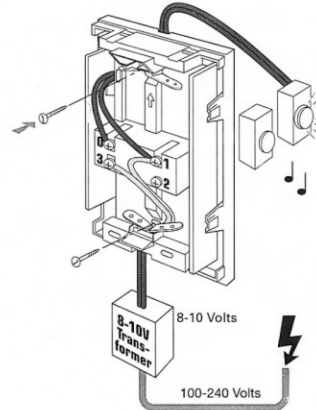
- Power Cord = 0.3 mm²
- Push button & Woodscrews are supplied

DOOR CHIMES SERIES

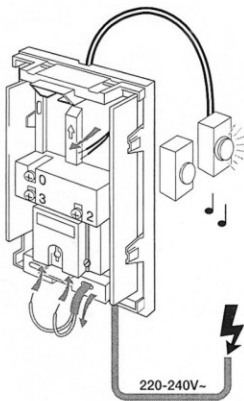
■ INSTALLATION



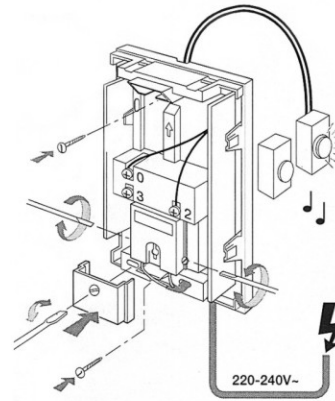
Battery Operated Diagram 1.1



External Transformer Diagram 1.2



Built-in Transformer Diagram 2.1



Built-in Transformer Diagram 2.2

- It can be powered by batteries, external transformer, or built-in Transformer.
- Batteries/ transformer, and wire are required.
- Fasten the Front Cover to the Body properly to achieve the highest quality of sound.
- Do not mount the doorchime on door.
- Installation of DC Operated chimes:
 - 1.1) For chimes with Batteries. refer to Diagram 1.1 for details of Installation
 - 1.2) For chimes with External Transformer ,refer to Diagram 1.2 for details of installation
- Installation of AC Operated chimes:
 - 2.1) For chimes with Built-in Transformer ,refer to Diagram 2.1 and 2.2 for details of installation